

LEFT/RIGHT FACING CORNER SOFA SET

Powder-coated steel frame

Hand woven synthetic rattan

Toughened glass table top

Sofa can be left or right facing configuration

Includes 2 x sofas and 1 x table

Two-seater sofa: H62 x W131 x D70cm

Corner section: H62 x W140 x D79cm

Table: H31 x W45 x D45cm



INSTRUCTION MANUAL

IMPORTANT: Please read these instructions before using the product and retain for future use.

SAFETY & CARE ADVICE

Please read these instructions fully before starting assembly.

- This product is made from toughened glass, which is strong but not unbreakable. In the unlikely event that the glass fails, it will break into a large number of small fragments that may be spread over a wide area. This is a feature of toughened glass and is designed to remove the risk of injury from glass breaking into large shards.
- Tables should not be dragged at any time.
- Remove parasol from base and when table is not in use or in windy conditions.
- Do not strike or place heavy weight on the table.
- Do not place hot items directly onto the glass.
- Avoid dropping objects on the glass as this may weaken or shatter it.
- Do not use the glass as a chopping surface. Do not strike the glass with hard or pointed items.
- Check you have all the components and tools listed in this booklet before assembly.
- Remove all fittings from their plastic bags and separate them into their groups.
- Keep children and animals away from the work area; small parts could choke if swallowed.
- Make sure you have enough space to lay out the parts before starting.
- Do not stand or put weight on the component parts during assembly, as this could cause damage.
- Assemble on a soft level surface to avoid damaging the unit or your floor.
- A two-person assembly is recommended.
- Dispose of all packaging carefully and responsibly.

IMPORTANT INFORMATION

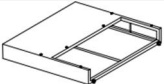




Care instructions

- Regularly check all the bolts, screws and fastenings are secure.
- Only clean using a damp cloth and mild detergent; do not use bleach or abrasive cleaners.
- Make sure each screw matches the corresponding figure to ensure correct assembly.
- This product should not be discarded with household waste. Take to your local authority waste disposal centre.
- To prolong the life of this unit, we recommend it is stored inside during winter or extended periods of bad weather.

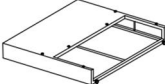




COMPONENTS - PARTS

Please check you have all components listed below. If you have any missing or damaged components, please contact your local store.

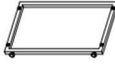



Two-seater sofa

A		1
B		1
C		1
K		2
L		1

Corner section

A		1
B		1
C		1
K		1
L		1

Table



A		2
B		2
C		1
H		1

COMPONENTS - FITTINGS

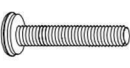

Please check you have all fittings listed below. If you have any missing or damaged fittings, please contact your local store.

Note: The quantities below are the correct amount to complete the assembly. In some cases, more fittings may be supplied than required.



Two-seater sofa

D	 M6*35mm	x 8
E	 $\Phi 13 * \Phi 6.5 * 1.0\text{mm}$	x 8


Corner section

D	 M6*35mm	x 7
E	 $\Phi 13 * \Phi 6.5 * 1.0\text{mm}$	x 7

Table

D	 M6*35mm	x 8
E	 $\Phi 13 * \Phi 6.5 * 1.0\text{mm}$	x 8

Tools included

J		1
---	---	---

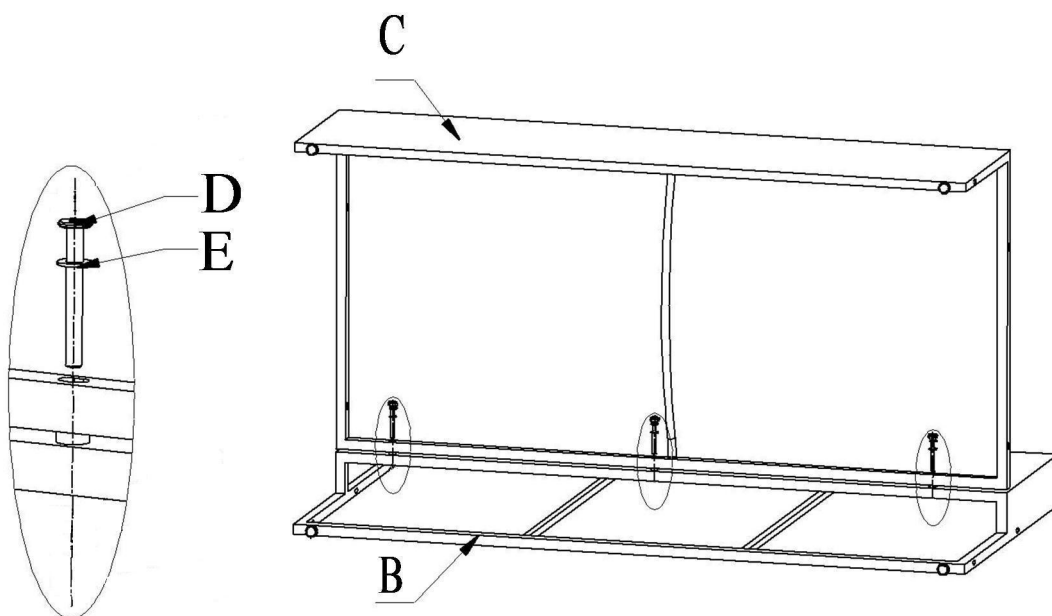
ASSEMBLY INSTRUCTIONS

OPTION 1:

TWO-SEATER SOFA

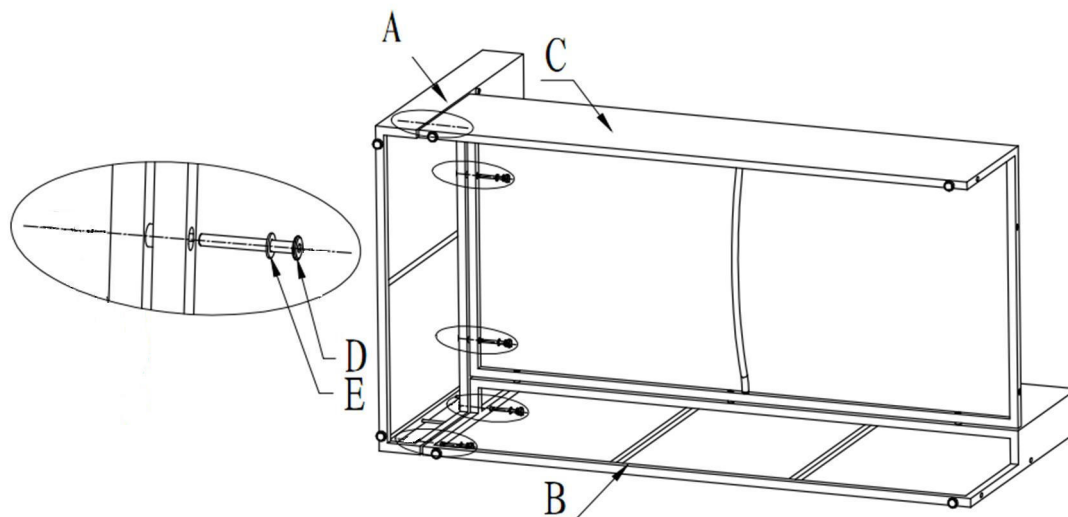
Step 1

Fix back **B** to seat **C** using screw **D**, washer **E**. Please note: Only tighten the screws when it is fully assembled.



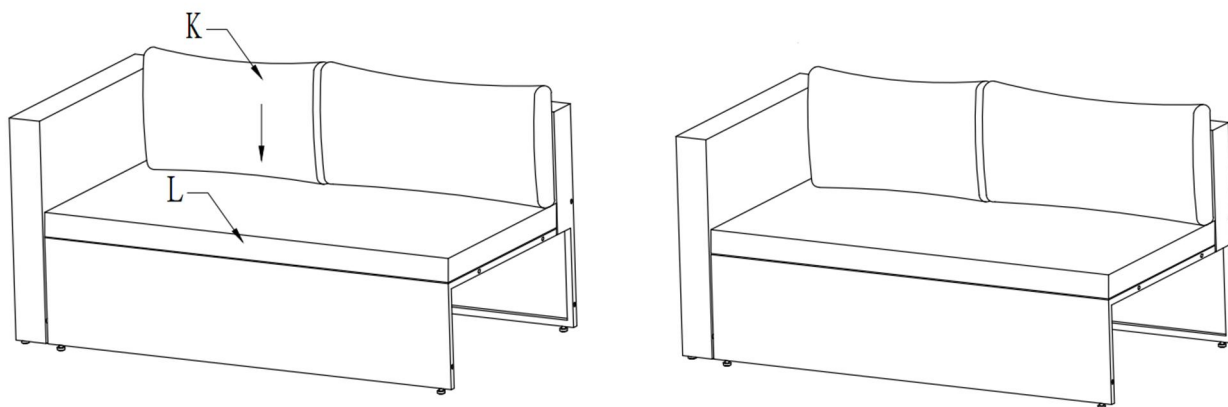
Step 2

Fix armrest **A** to seat **C** and back **B** using screws **D**, washers **E**. Please note: Only fully tighten the screws when it is fully assembled.



Step 3

Put back cushion **K** and seat cushion **L** on the bench.

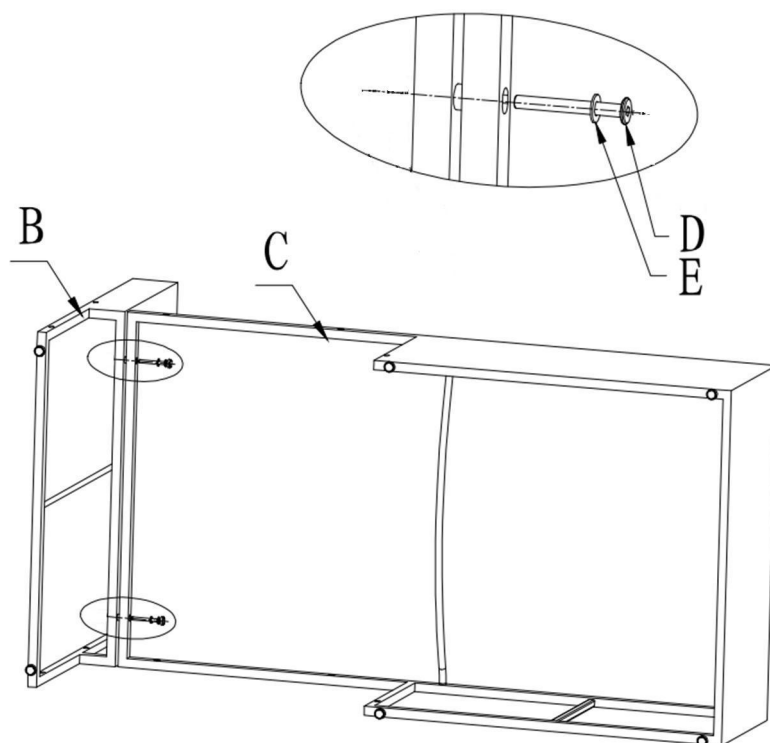


OPTION 1:

CORNER SECTION

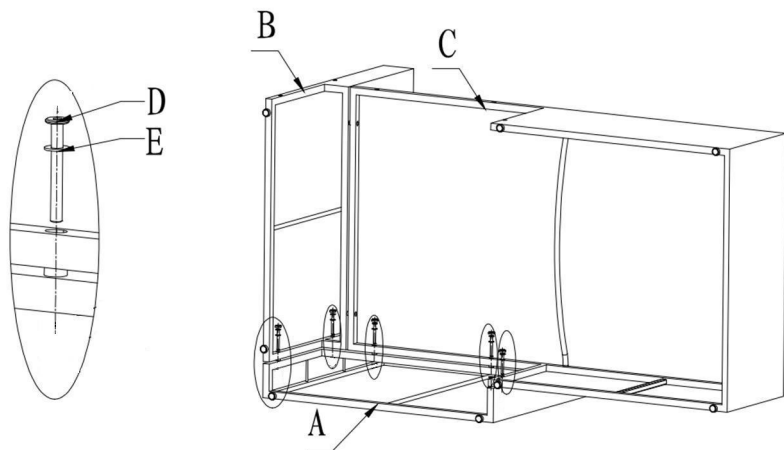
Step 1

Fix back **B** to seat **C** using screw **D**, washer **E**. Please note: Only tighten screw when it is fully assembled.



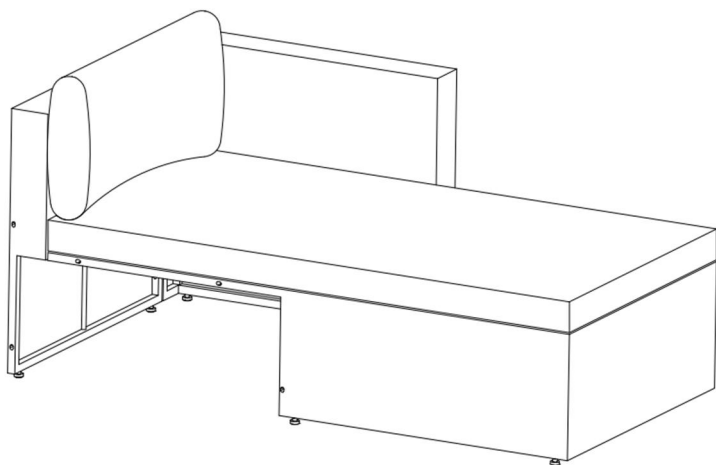
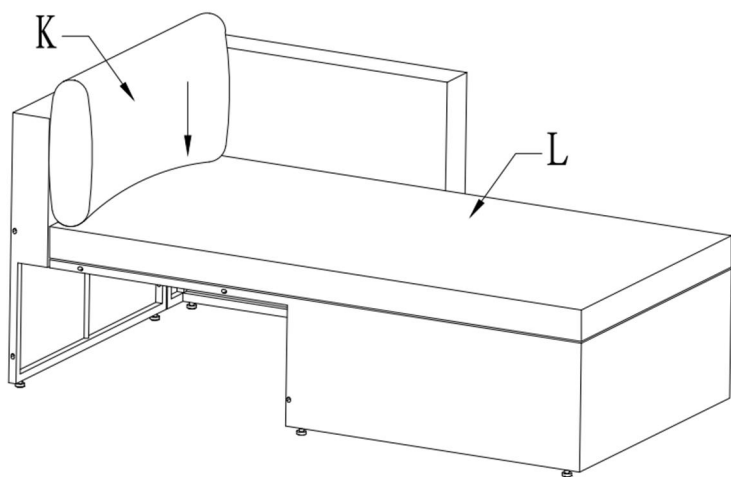
Step 2

Fix armrest **A** to back **B** and seat **C** using screw **D**, washer **E**. Please note: Only tighten screws when it is fully assembled.



Step 3

Put back cushion **K** and seat cushion **L** on the bench.

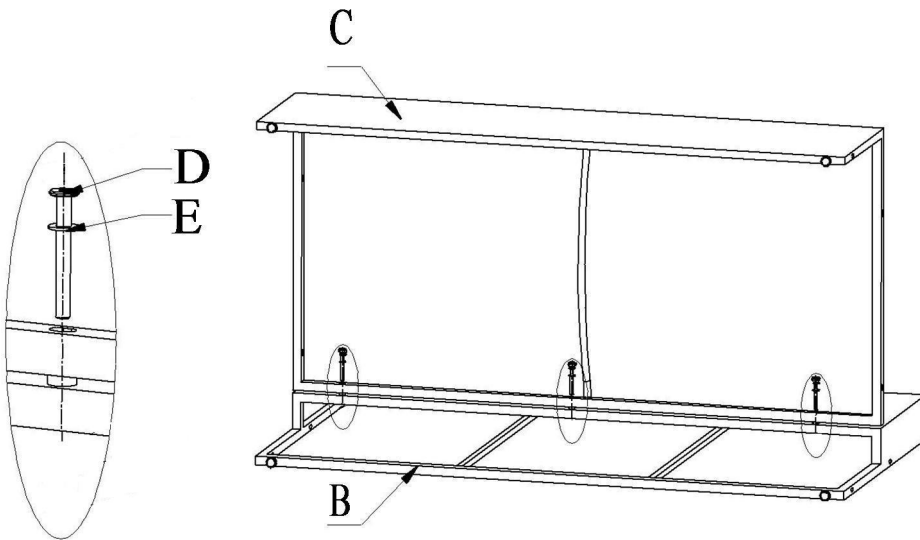


OPTION 2:

TWO-SEATER SOFA

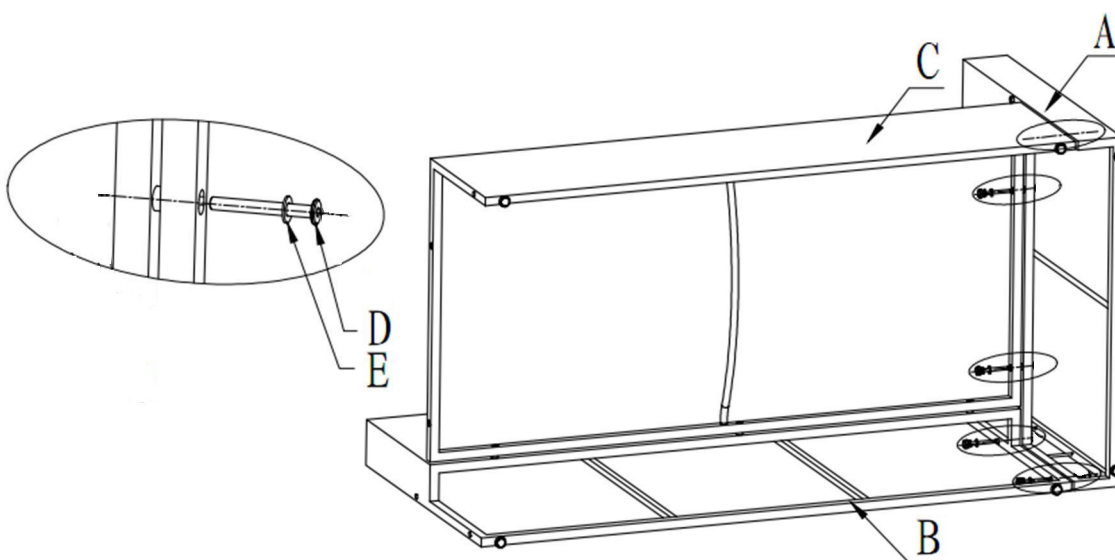
Step 1

Fix back **B** to seat **C** using screw **D**, washer **E**. Please note: Only tighten the screws when it is fully assembled.



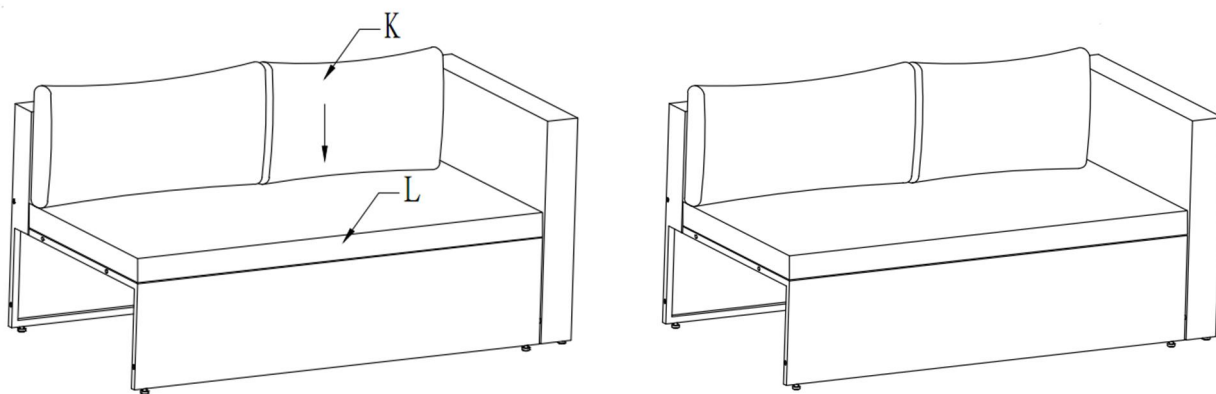
Step 2

Fix armrest **A** to seat **C** and back **B** using screws **D**, washers **E**. Please note: Only fully tighten the screws when it is fully assembled.



Step 3

Put back cushion **K** and seat cushion **L** on the bench.

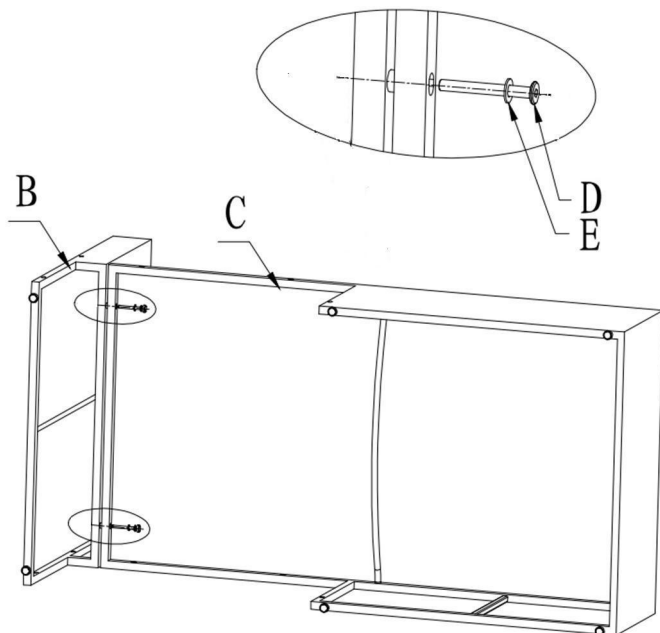


OPTION 2:

CORNER SECTION

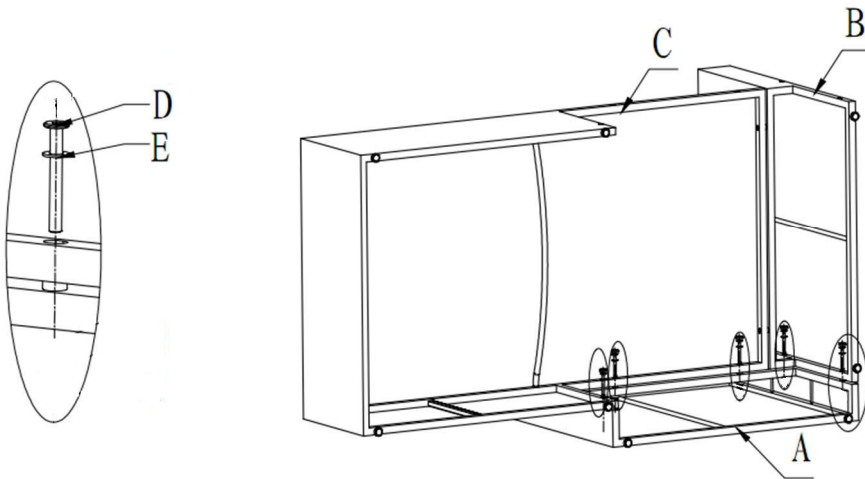
Step 1

Fix back **B** to seat **C** using screw **D**, washer **E**. Please note: Only tighten screw when it is fully assembled.



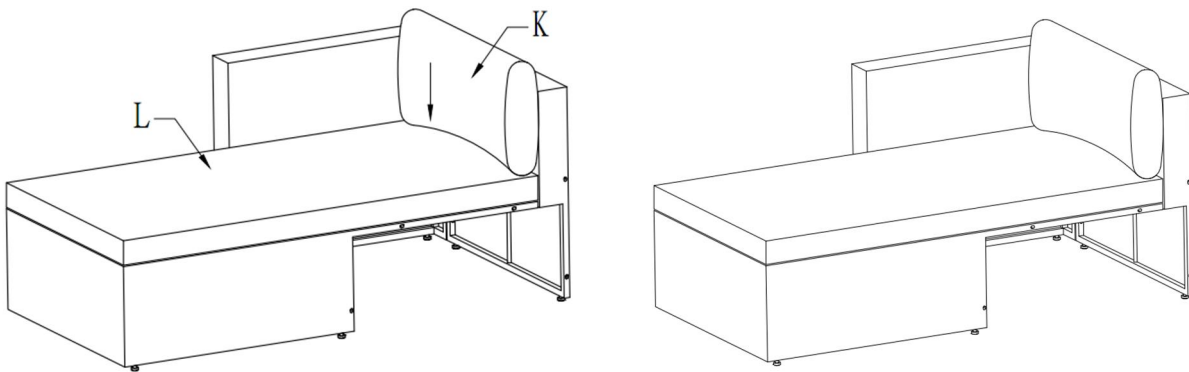
Step 2

Fix armrest **A** to back **B** and seat **C** using screw **D**, washer **E**. Please note: Only tighten screws when it is fully assembled.



Step 3

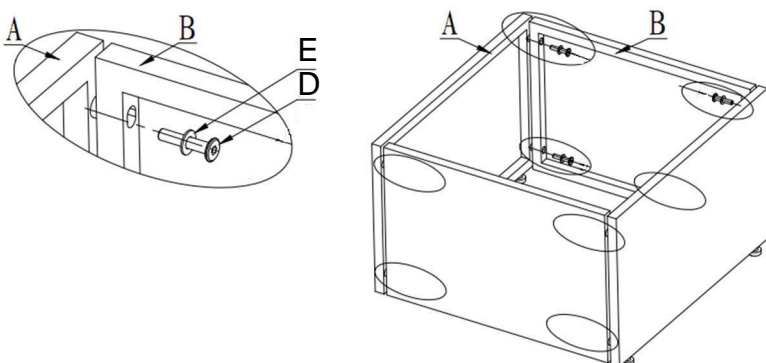
Put back cushion **K** and seat cushion **L** on the bench.



TABLE

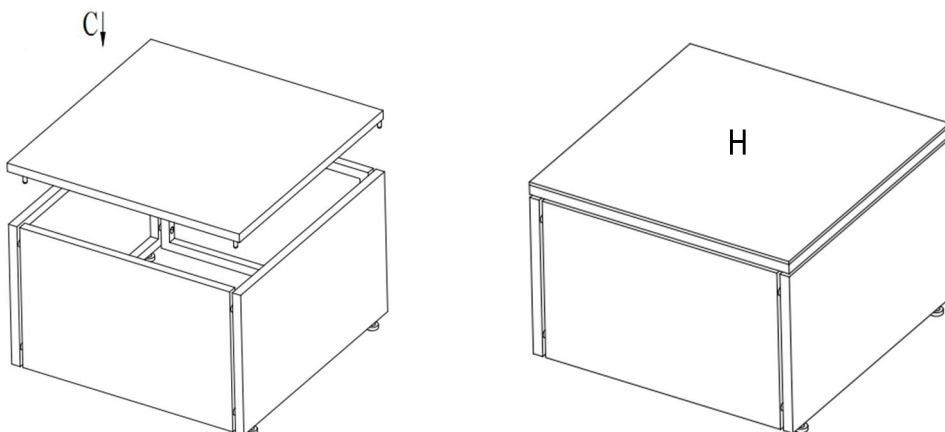
Step 1

Fix side panel **A** and **B** with screw **D**, washer **E**. Please note: Only tighten screws when it is fully assembled.



Step 2

Carefully put Faceplate **C** and glass **H** on the top.



WARNING:

The two-seater sofa and corner section cannot be used separately. They must be attached together as a set.

COMPONENTS - PARTS

Option1

A		1
B		1

Option2

A		1
B		1

COMPONENTS - FITTINGS FOR SOFA SET

Please check you have all fittings listed below. If you have any missing or damaged fittings, please contact your local store

Note: The quantities below are the correct amount to complete the assembly. In some cases, more fittings may be supplied than required.

F	 M6*60mm	5
E	 Φ 13*Φ 6.5*1.0mm	10

G	 M6	5
---	--------	---

Tools included

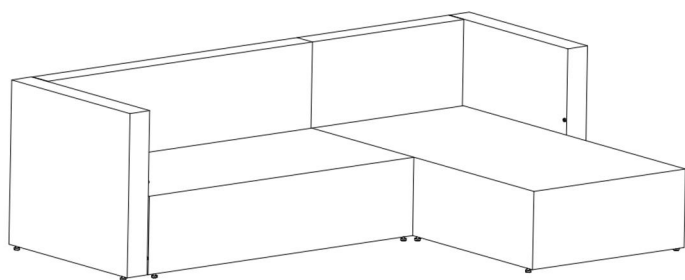
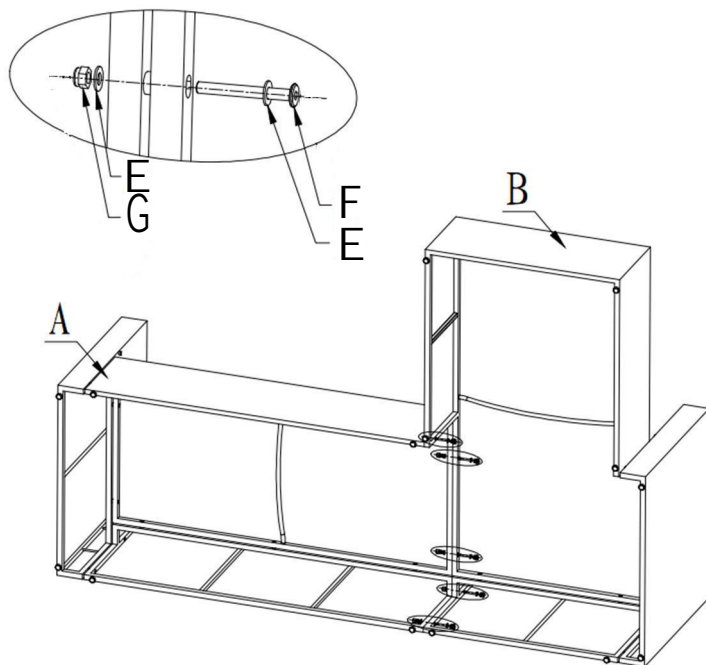
J		1
J1		1

ASSEMBLY INSTRUCTIONS

OPTION1:

Step 1

Fix two-seater sofa **A** to corner section **B** with screw **F**, washer **E** and nut **G**. Please note: Only tighten the screws when it is fully assembled.



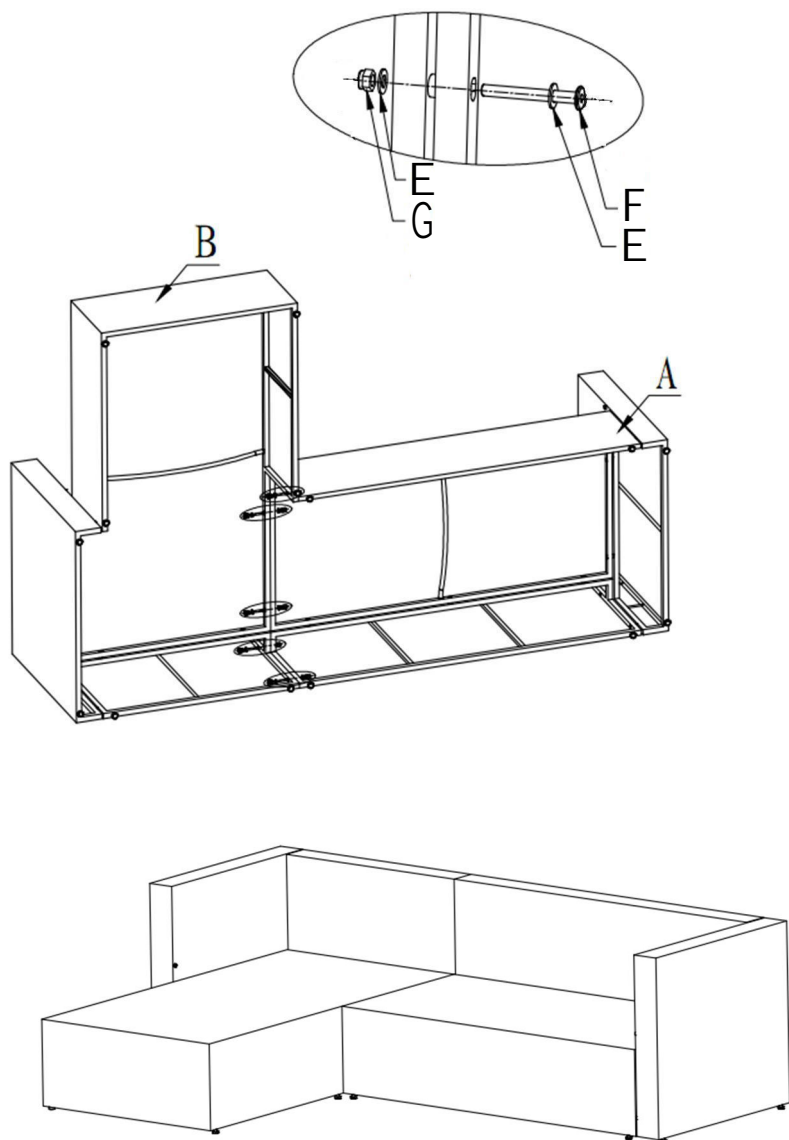
ASSEMBLY COMPLETE

Your furniture is ready to use.

OPTION2:

Step 1

Fix two-seater sofa **A** to corner section **B** with screw **F**, washer **E** and nut **G**. Please note: Only tighten the screws when it is fully assembled.



ASSEMBLY COMPLETE

Your furniture is ready to use.